

A.D. 1886, 17th NOVEMBER. N° 14,917.

PROVISIONAL SPECIFICATION.

An Improved Toy or Picture Book.

I ARTHUR ANDREW MELVILLE of 27 Tillingham Street Sparkbrook in the County of Warwick Clerk do hereby declare the nature of my said invention to be as follows :—

My Invention has for its object an improved toy or picture book which is designed
5 in such a manner as to make the figures or pictures therein to appear as if they were
alive and moving about the scene constantly varying as the eye looks upon it and this
I accomplish in the following manner :—

I bind into book form a number of rather stiff sheets of paper by fastening them
either at one edge or across the centre or by a centre pin or other fastening in such a
10 manner that either one, two, three, four, or other number of sides may be utilized and
taking one side or edge of the leaves I commence at the bottom page with a figure
say a man and on the next page a second figure advanced a little more to (say the
left on the next page both figures may be seen say one being red and the other black
and by advancing their positions more to the left on each page and altering the
15 figures on each page they may as the leaves are rapidly turned down through the
thumb and fingers be made to appear leap-frog or other game. In like manner
various scenes may be brought together to represent a long journey or voyage or any
other games may be represented in fact the variations possible with books so made are
endless as will be easily understood and such books may be used as either amusements
20 or for instruction in many various ways.

Dated this 16th day of November 1886.

GEORGE BARKER,
77, Colmore Row, Birmingham,
Agent for Applicant.

COMPLETE SPECIFICATION.

An Improved Toy or Picture Book.

I ARTHUR ANDREW MELVILLE of 27 Tillingham Street, Sparkbrook, Birmingham in the County of Warwick England Clerk do hereby declare the nature of my said invention and in what manner the same is to be performed to be particularly described and ascertained in and by the following statement:—

My invention has for its object an improved toy or picture book which is designed in such manner as to make the figures or pictures therein to appear as if they were alive and moving about, the scene constantly varying as the eye looks upon it and I therefore call it "The living Picture Book" the invention is as follows:—

I bind into book form a number of rather stiff sheets of paper by fastening them either at one edge or across the centre or by a centre pin or other fastening in such a manner that either one two, three four or other number of sides may be utilized and taking one side or edge of the leaves I commence at the bottom page with a figure say a man and on the next page a second figure advanced a little more to (say the left) on the next page both figures may be seen say one being red and the other black and by advancing their positions more to the left on each page and altering the figures on each page they may as the leaves are rapidly turned down through the thumb and fingers be made to appear to play leap frog or other game. In like manner various scenes may be brought together to represent a long journey or voyage or any other games may be represented in fact the variations possible with books so made or endless as will be easily understood and such books may be used as either amusements or for instruction in many various ways.

In order that my invention may be clearly understood and easily carried into practice I have shewn several forms of the same upon the accompanying sheet of drawings which are merely intended to illustrate the principle of the invention and not by any means to exhaust the almost endless subjects which may be introduced when the principle of "The living Picture Book" is understood.

Figure 1 shows an oblong picture book as it appears when not in use with the two binding pieces A and B attached to the covers A¹ A² by the hinges a³, a⁴ at their centre binding piece A and to the B centre binding piece the similar covers B¹ and B² by the hinges b³ and b⁴. The binding pieces A and B are secured together with the intermediate leaves C between by any suitable means such as the rivets d, d¹, d² or stitches or other means.

Figure 2 is a perspective view of the book shown by Figure 1 in use by the hand H which is in the act of turning over the a¹ end of the book a portion of the leaves C having already passed from under the thumb and a portion are still retained by the thumb.

Melville's Improved Toy or Picture Book.

Figure 3 is a similar book but it has three covers D¹ D² and D³ which is hinged to the fast centre C with similar covers at the other side enclosing leaves between which are fitted with sets of figures drawings words or other matter upon three sides instead of two sides as in Figures 1. and 2.

- 5 Figure 4 is a similar book except that there are four sides or books E¹ E² E³ and E⁴ hinged to the centre E for containing sets of illustrations or interesting or instructive matter upon the pages thereof.

Figure 5 is a hexagon book having six hinged sides or separate books K¹ K² K³ K⁴ K⁵ and K⁶ all hinged to the centre piece K.

- 10 The foregoing figures will serve to show that a large number of books of various shapes and size may be made to contain the various subjects to be illustrated and the backs of the leaves may in some cases be used as well as the fronts thereof. The subject shewn at Figure 2 is the game of leap-frog with the men in the various attitudes of bending or jumping or running, but voyages by sea, travelling by railway
15 train or other vehicles, the flying of birds as taken by photography or otherwise, or lessons in arithmetic the growth of plants and flowers or almost any conceivable subject of amusement or instruction may be shown by this means in an interesting and progressive manner.

- 20 Having now particularly described and ascertained the nature of my said invention and in what manner the same is to be performed I declare that what I claim is:—

The improved toy or picture book constructed with the pictures or other matter so arranged upon the leaves as to show when in action a range of progress in any game or development in the growth of plants or advancement in instruction, substantially as and for the purpose herein set forth and illustrated on the accompanying drawings.

- 25 Dated this 4th day of August 1887.

GEORGE BARKER,
77, Colmore Row, Birmingham,
Agent for Applicant.

[This Drawing is a reproduction of the Original on a reduced scale.]

FIG. 5.

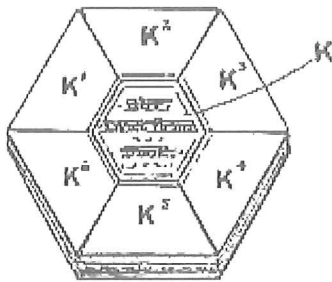


FIG. 1.

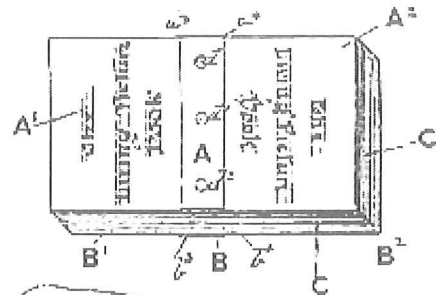


FIG. 2.

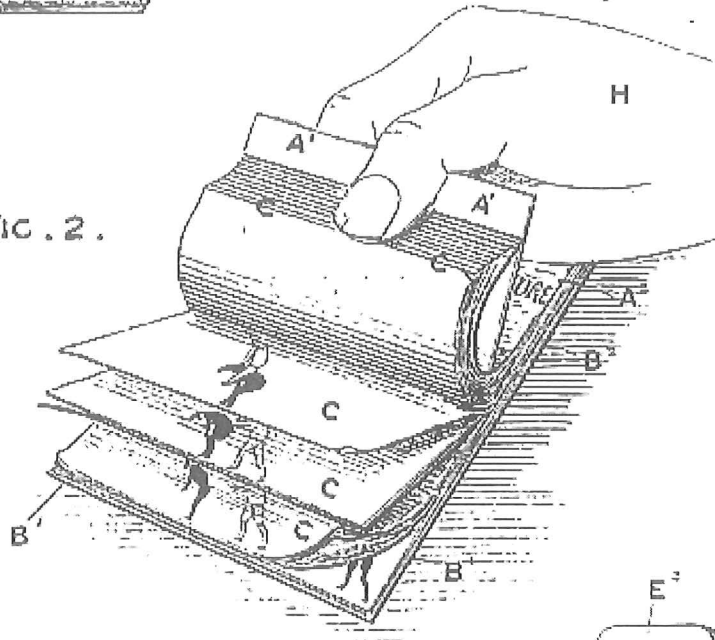


FIG. 3.

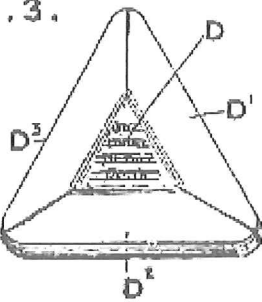


FIG. 4.

